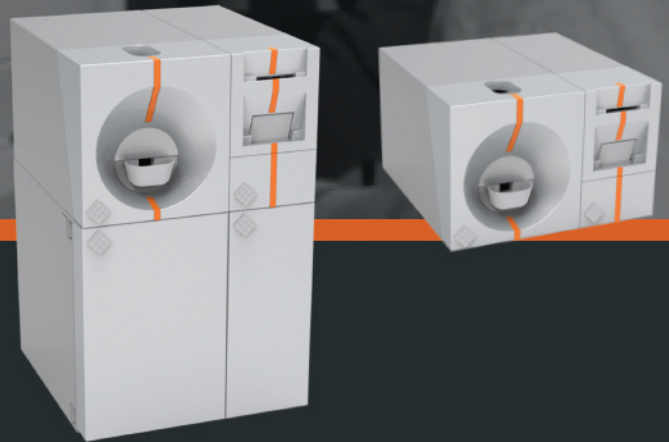


# TOUCHLESS CASH PAYMENT EXPERIENCE

CONSUMER FACING CASH RECYCLERS



CIMA transforms how businesses accept cash payments by providing a complete touchless cash payment experience so that store staff do not need to physically handle cash.

- **CLEAN & HYGIENIC**  
Customer pays directly into kiosk  
Change dispensed back to the customer
- **REDUCE LABOR COSTS**  
Significant reduction in manual cash handling
- **INCREASED SECURITY**  
Cash is stored in a limited access safe



**CIMA**  
WHEREVER YOU COUNT

# CASH@POS CASH@KIOSK

## TOUCHLESS CASH PAYMENT SOLUTIONS

CIMA manufactures the industry's most comprehensive range of compact cash recycling solutions designed to automate cash payments at the point of sale (POS). Customers can pay directly into our recyclers and receive change without handing money to the operator. This reduces cash shrink and eliminates the need for managing cash manually

at POS. CASH@POS is ideal for supermarkets, convenience stores, cafés, fast food/QSR, bakeries or pharmacies.

Our CASH@KIOSK range allows Quick Serve Restaurants (QSR) / fast food outlets to accept cash payments and dispense change at self-serve kiosks and at the point of transaction thanks to our kiosks with fully integrated note and coin recycling technology. Why force customers to queue at a traditional POS lane to pay with cash? Our

cash-enabled kiosks can also be used in self-service bill payment applications or retail self-checkout applications where weighing product is not needed.

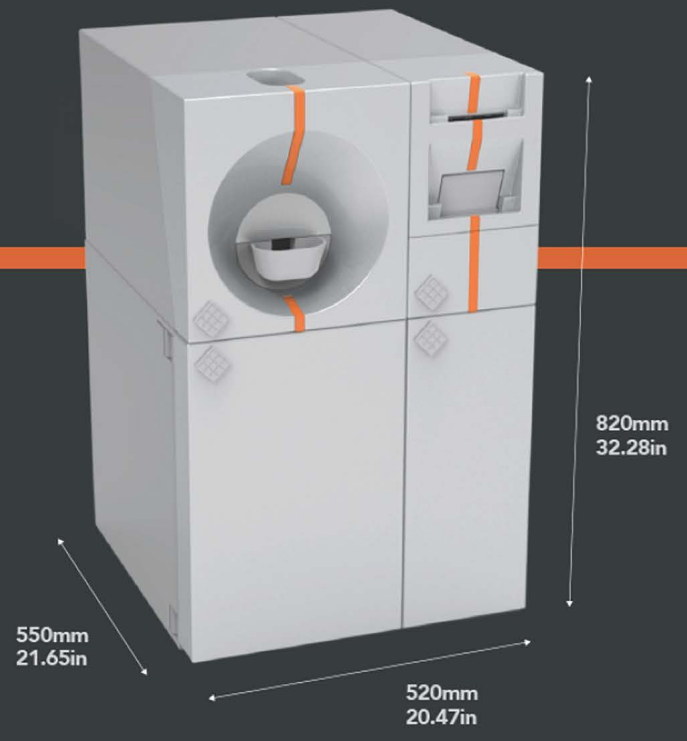
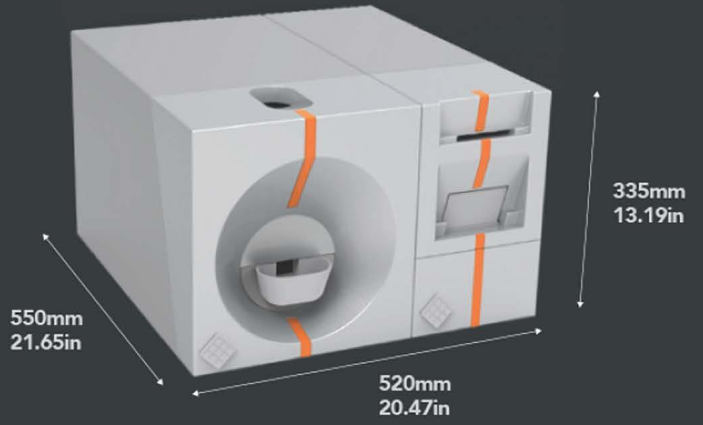
Our range of consumer-facing cash handling solutions is the evolution of decades of experience of manufacturing machines that are fit-for-purpose in wide range of market segments. We have multiple configurations so businesses can deploy what's right for them.

## BENEFITS

- Automate the cash handling process at point of sale
- Can be used by staff or customers
- Staff do not physically handle cash
- Better job satisfaction
- Improve customer experience
- Improve staff productivity – more time with customers and value-added store activities
- Clean and hygienic solution
- Increase security and reconciliation to optimize business processes
- Easy integration in any store format / checkout

## CIMA CASH@POS / CASH@KIOSK SPECIFICATIONS

	 InLane300	 InLane300 Depo	 InLane600	 InLane600 Depo	 InLane900
RECYCLING CAPACITY	3 x RSM @ 100 NOTES TOTAL = 300 NOTES	3 x RSM @ 100 NOTES TOTAL = 300 RECYCLABLE NOTES	3 x RSM @ 100 NOTES 2 x RSM @ 150 NOTES (in safe area) TOTAL 600 RECYCLABLE NOTES	3 x RSM @ 100 NOTES 2 x RSM @ 150 NOTES (in safe area) TOTAL 600 RECYCLABLE NOTES	3 x RSM @ 100 NOTES 4 x RSM @ 150 NOTES (in safe area) TOTAL 900 RECYCLABLE NOTES
DEPOSIT / OVERFLOW	❖ Overflow cassette (400 notes)	❖ Overflow cassette (400 notes) ❖ Canvas bag for CIT pick up (1,500 notes - loose)	❖ Overflow cassette (400 notes)	❖ Overflow cassette (400 notes) ❖ Canvas Bag for CIT pick up (700 notes - loose)	❖ Overflow cassette (400 notes)
DIMENSIONS	20.47in W x 21.65in D x 13.19 in H	20.47in W x 21.65in D x 32.28 in H	20.47in W x 21.65in D x 32.28 in H	20.47in W x 21.65in D x 32.28 in H	20.47in W x 21.65in D x 32.28 in H
DEPOSIT SPEED (NOTES)	2 NOTES PER SECOND, 15 NOTES BUNDLE FEED IN INPUT SLOT				
DISPENSE SPEED (NOTES)	3 NOTES PER SECOND, 15 NOTES CAPACITY IN DISPENSE SLOT				
FEATURES OF COIN MODULE	Coin Inlet Capacity: 20 coins. Deposit Speed: 10 coins / second. Dispense Speed: 6 coins / second. Coin Outlet Capacity: 50 coins Coin Recycling Hopper Capacities: \$0.01: 1,500 coins, \$0.05: 450 coins, \$0.10: 900 coins, \$0.25: 550 coins, \$1.00: 235 coins. Total Coin Recycling Capacity: 3,635 coins Coin Overflow: Canvas bag up to 10kg / 22.05 lbs.				
CASH@KIOSK	 CASH@KIOSK not available with the above note and coin configurations.	INCLUDES ALL FEATURES OF COIN AND NOTE COMPONENT AS DESCRIBED ABOVE PLUS: 27" vertically oriented touch screen embedded with PC: Intel ATOM E3940 quad-core, 1.8GHz, 4GB RAM, 32GB SSHDD, Operating System: Microsoft Windows 10 IoT Enterprise 1809 LTSC 80mm thermal receipt printer Barcode scanner	CASH@KIOSK not available with the above note and coin configurations.	INCLUDES ALL FEATURES OF COIN AND NOTE COMPONENT AS DESCRIBED ABOVE PLUS: 27" vertically oriented touch screen embedded with PC: Intel ATOM E3940 quad-core, 1.8GHz, 4GB RAM, 32GB SSHDD, Operating System: Microsoft Windows 10 IoT Enterprise 1809 LTSC 80mm thermal receipt printer Barcode scanner	CASH@KIOSK not available with the above note and coin configurations.



**CIMA**  
WHEREVER YOU COUNT



1040 Cardiff Blvd.  
Mississauga, ON L5S 1P3  
1.800.268.5457  
sales@cashtechcurrency.com

www.cashtechcurrency.com